

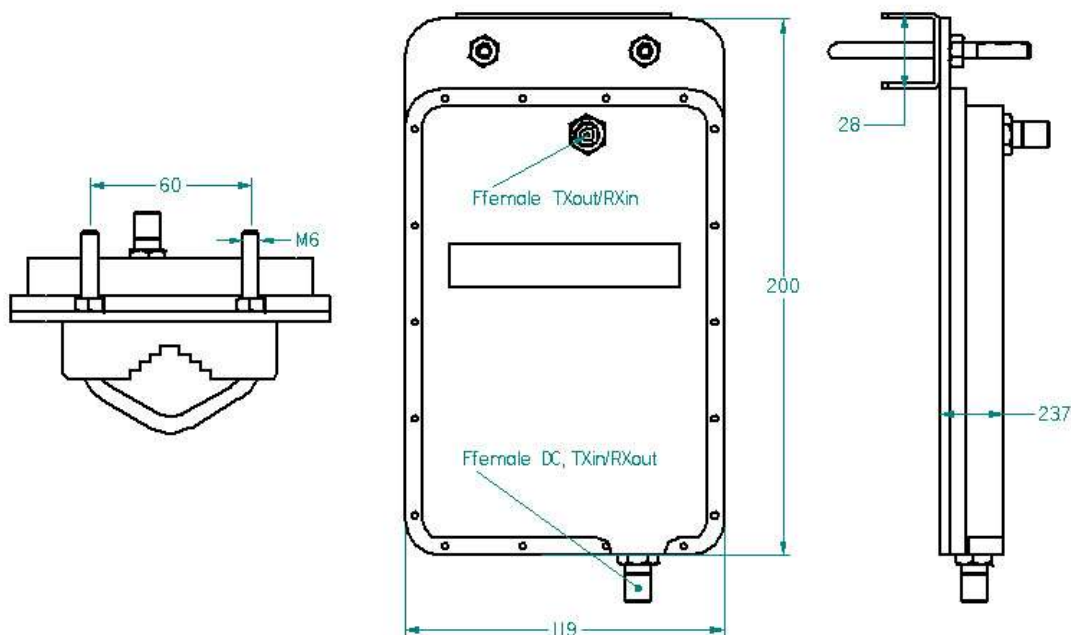
MMDS UHF TRANSCEIVER

DOCSIS INTERNET 2 WAY CONVERTOR

Downstream	TRX V6.1	TRX V6.2
RF input (= RF output)	620-638MHz	638-656MHz
Gain	27 dB	
Gain flatness	+-1.6dB	
Noise figure	4 dB	
Inband spurious	-70 dBm	

Upstream	TRX V6.1	TRX V6.2
IF input	12-42MHz	
RF output	530-560MHz	560-590MHz
Gain	25 dB	
Gain flatness	+-1.6dB	
Output 1 dB compression point	32 dBm	

General	TRX V6.1	TRX V6.2
LO phase noise	-98 dBc/10 kHz	
LO leakage at RF,IF port	-50 dBm	
LO freq stability	+-14 kHz (-30-60)	
DC consumption	12-20V / 7.5 W	
Connectors	2x F-female / 75 Ω	



RAYTRA Microwave Devices s.r.o.

email : info@raytra.com

phone : 00420-604553126

web : www.raytra.com