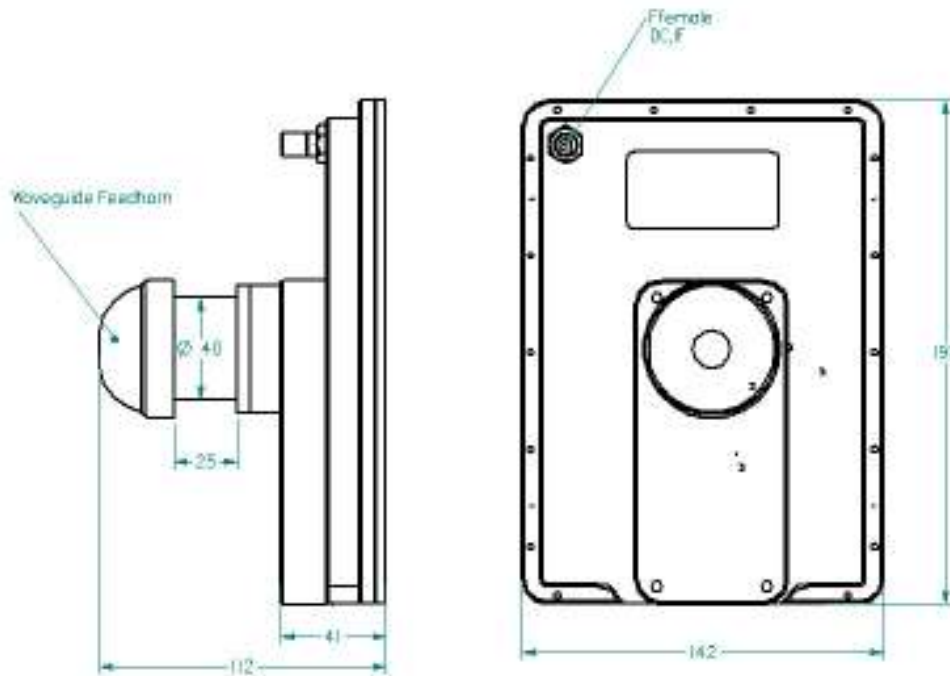


12GHZ DOCSIS TRANSCEIVER 2 WAY KU BAND CONVERTOR

Downstream	TRX V12.1
RF input (= RF output)	11717-12025 (12322) MHz
Gain	33 dB
Gain flatness	+2dB
Noise figure	2.5dB
Output IP3	18 dBm

Upstream	
IF input	30-60MHz
RF output	10650-10680MHz
Gain	30 dB
Gain flatness	+1.6dB
Output 1 dB compression point	17 dBm

General	
LO phase noise	-92 dBc/Hz@10 kHz
LO leakage at RF,IF port	-50 dBm
LO freq stability	+30 kHz (-30-60)
DC consumption	12-20V / 7.5 W
Connectors	1x F-female / 75 Ω
Weight	1.4kg



RAYTRA Microwave Devices s.r.o.

email : info@raytra.com

phone : 00420-604553126

web : www.raytra.com