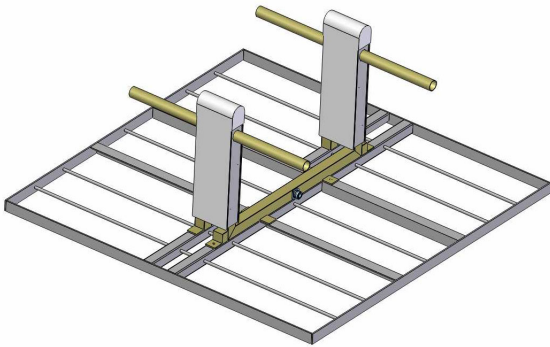


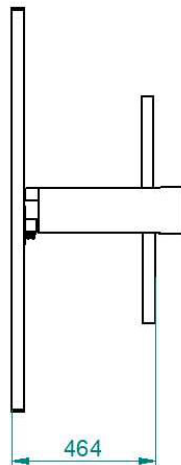
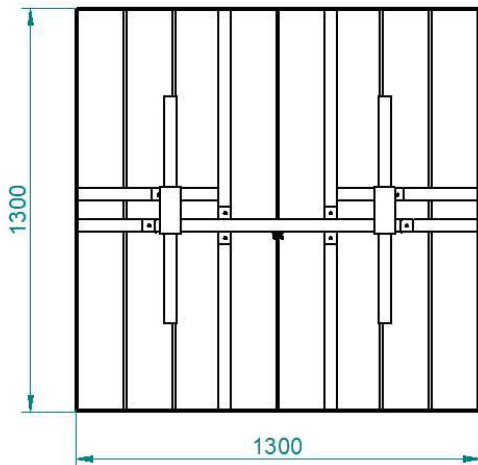
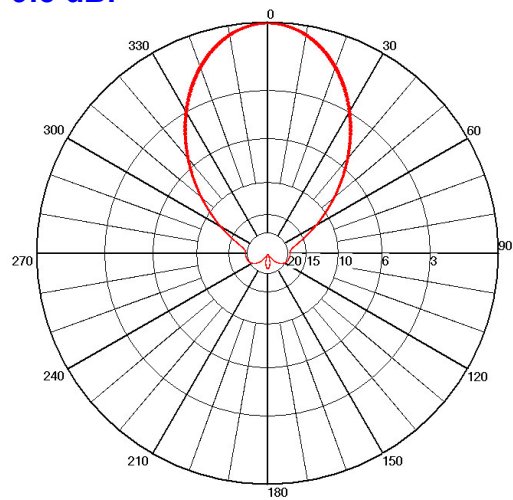
DAB Vertical Double Dipole with reflector UDA 7.9.50

| Electrical properties | |
|--|--------------------------------|
| Frequency range | 174 - 230 (240) MHz |
| VSWR | <1.15 (1.21) |
| Gain | 9 / 10 dBi (174 / 230 MHz) |
| Impedance | 50 Ω |
| Polarization | Vertical |
| Max. power / connector | 2 kW / 5kW DIN 7-16 / EIA 7/8" |
| Horizontal diagram -3/-6dB width (midband) | 60°/87° |
| Vertical diagram -3 dB width | 68° |

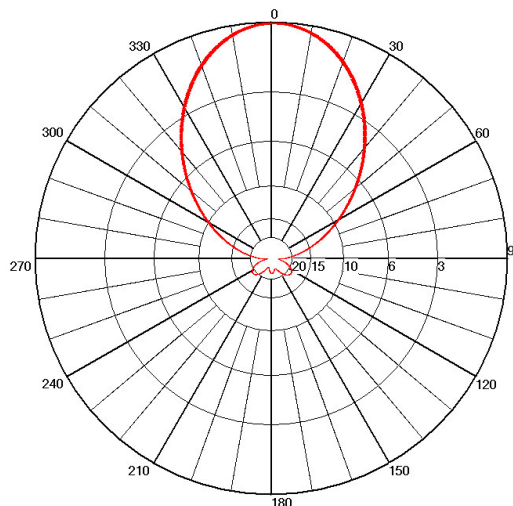
| Mechanical properties | |
|-------------------------------|--------------------------------|
| dipole and reflector material | stainless steel / hot dip zinc |
| dimensions | 1300 x1300x460 mm |
| weight | 39 kg |
| Max.Wind velocity | 240 km/h |



Horizontal diagram (H plane)
G 9.5 dBi



Vertical diagram (E plane)



RAYTRA

Antenna Technologies

phone : 00420 604 553 126

www.raytra.com

RAYTRA Microwave Devices s.r.o.
fabrication hall : Hutska 300 , 27203 ,Kladno, Czech republic