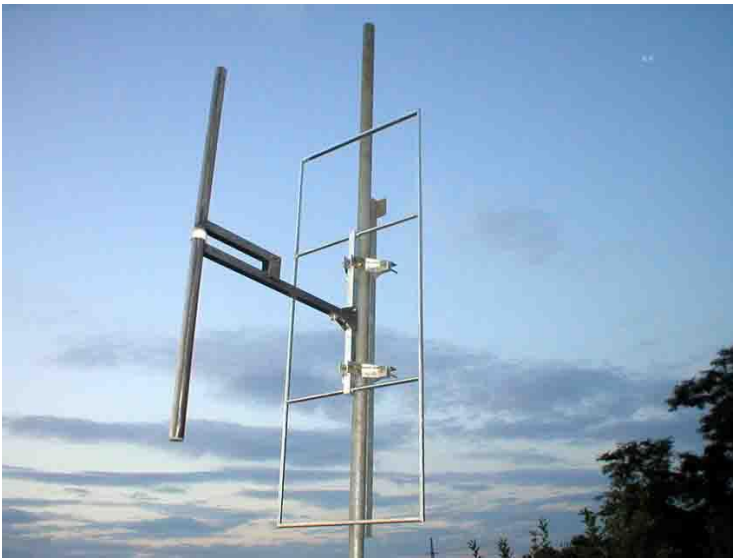


FM Vertical Dipole with reflector

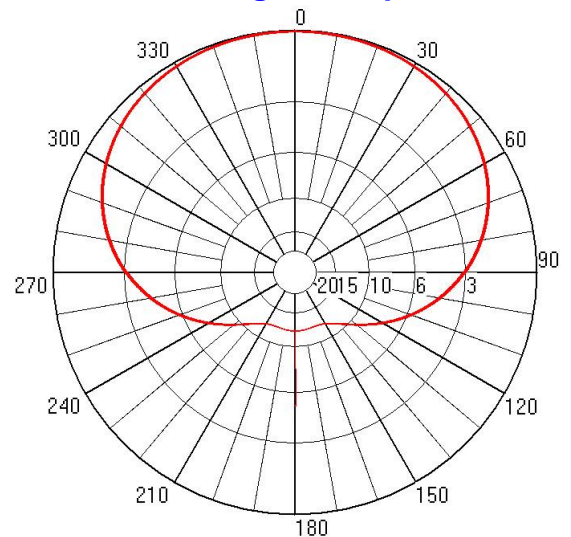
UF 660.50

Electrical properties	
Frequency range	87.5 - 108 MHz
VSWR	<1.2
Gain	5 dBi
Impedance	50 Ω
Polarization	vertical
Max. power / connector	2.5 kW / DIN 7/16
Horizontal diagram 3 dB beam width	179°
Vertical diagram 3 dB beam width	74°

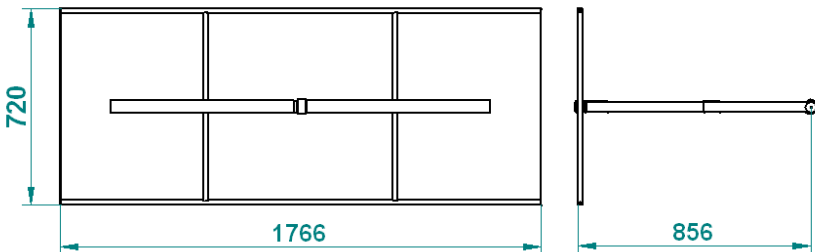
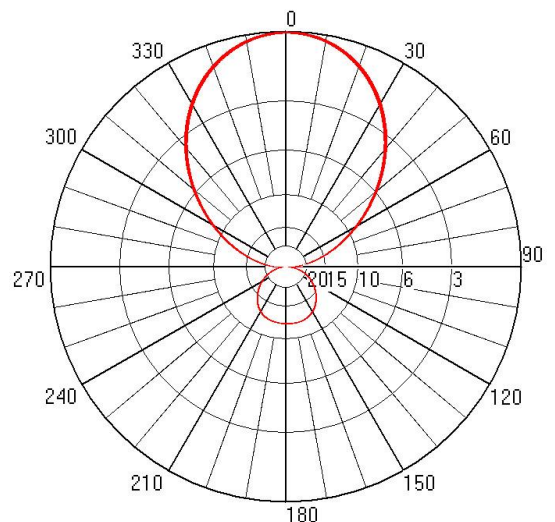
Mechanical properties	
dipole material	stainless steel
dimensions - width/height/length	720/1766/ 885 mm
weight	15 kg
Winload	0.4 m2
Max.Wind velocity	220 km/h



Horizontal diagram - Hplane



Vertical diagram - Eplane



RAYTRA

Antenna Technologies



phone: 00420 604 553 126

www.raytra.com

RAYTRA Microwave Devices s.r.o.
Bartoskova 1411/20, 14000, Praha 4, Czech republic