

TV 470-860 MHz

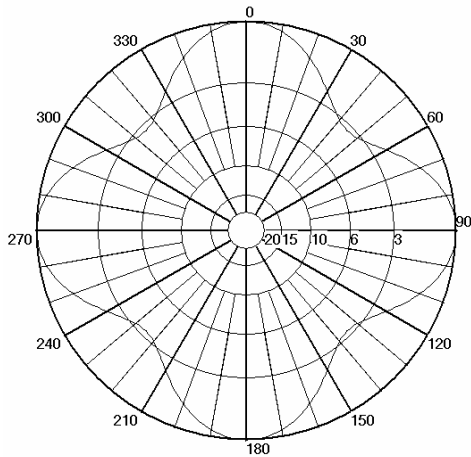
Omni-Directional Antenna System 7 dBi

UT 507.60.BR

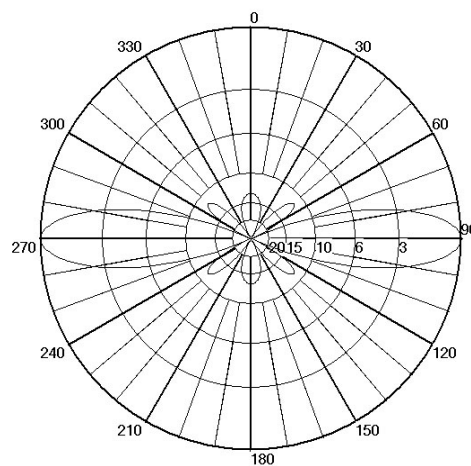
Electrical properties		UT 507.61.BR	UT507.62.BR	UT507.63.BR
Frequency range	470-860 MHz			
VSWR	1.11 (470-820) MHz			
Gain	7 dBi			
Impedance	50 Ω			
Polarization	Horizontal			
3 dB vert. beam width 600 MHz	23°			
Max. power	100 W	500W	1000W	
Connector	7/16DIN / N-female			

Mechanical properties	
Radome material	fibre glass composite
Radome color	white
Diameter / Height	250 / 1200 mm
Weight	17 kg
Winload	600 N (at 150 km/h)
Max.Wind velocity	200 km/h

Horizontal pattern



Vertical pattern



RAYTRA Microwave Devices S.r.l.

phone : 00420 604553126

email : info@raytra.com

web: www.raytra.com